



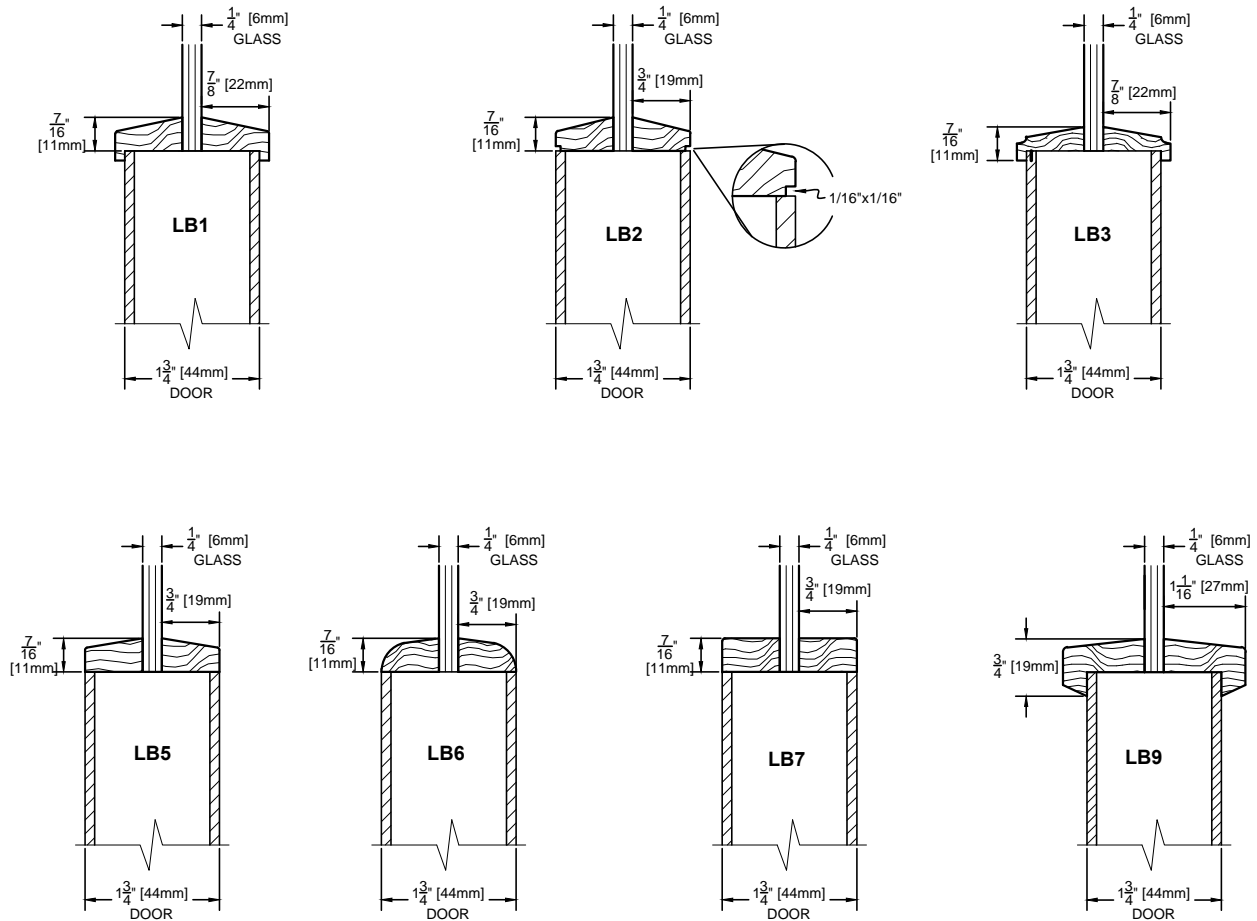
# VISION WOOD LITE BEADS

COMMERCIAL AND ARCHITECTURAL  
DOOR MANUFACTURER

U.S.A. : 1 800 363.2248

Can. : 1 800 463.3124

info@lambtondoors.com



## INSTALLATION INSTRUCTIONS FOR FIELD GLAZING OF NON-RATED DOORS

- The lite beads that are firmly pre-installed in the factory, on one side of the door, are not to be removed.
- You must remove the lite beads on the other side of the door. Although they are also pre-installed in the factory you will notice that they can be removed easily.
- Apply 1/8 po (3 mm) bead of caulking to the perimeter of the lite beads (in 1 above) and the door core.
- Put the glass into place and press firmly against the caulking.
- Apply 1/8 po (3 mm) bead of caulking to the perimeter of the glass and the door core.
- Firmly re-install the lite beads removed (in 2 above) against the caulking using the pilot holes.

### Note regarding the lite beads installation.

Install the lite beads using finishing nails of 1- $\frac{1}{4}$  in (32 mm) length. Two finishing nails minimum are to be used per lite bead using the factory pilot holes. Finishing nails are not to be installed closer than 2 in (50 mm) from any corner. The distance between each finishing nail in a lite bead should be maximum 12 in (305 mm).